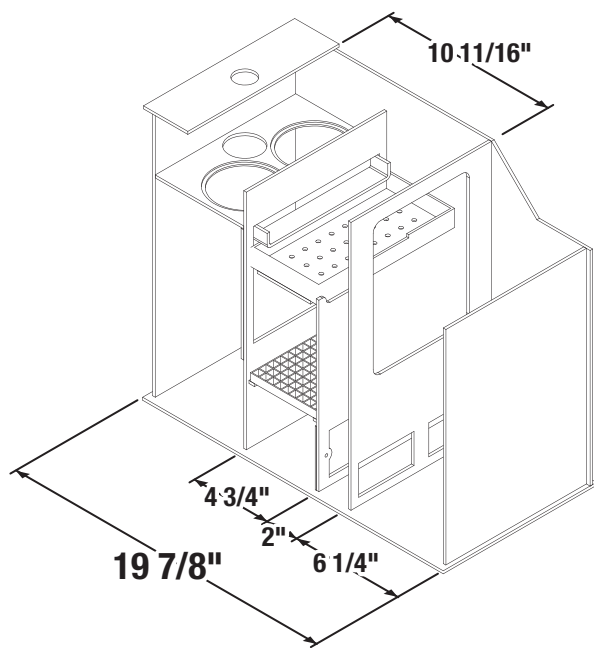
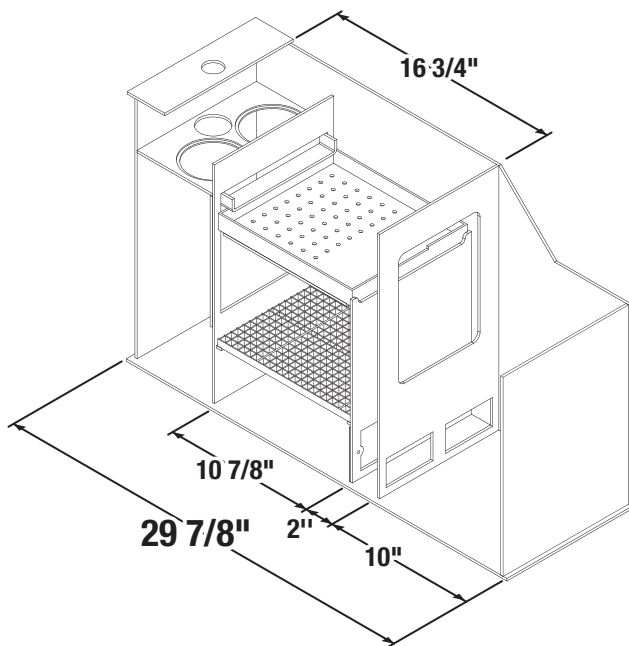


# ProFlex™ Sump Filtration

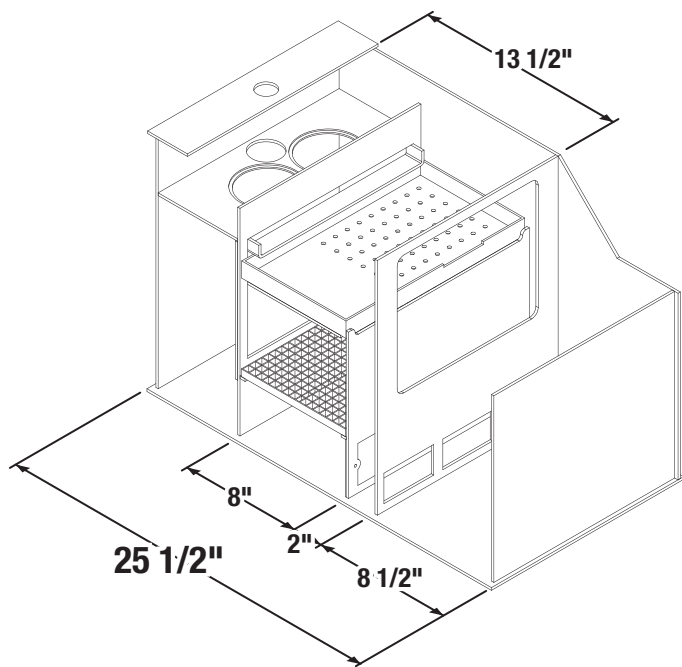
**Model 1 - 19 7/8 x 9 7/8 x 17 1/4**



**Model 2 - 29 7/8 x 9 7/8 x 18 7/8**



**Model 3 - 25 1/2 x 13 3/4 x 17**



**Model 4 - 36 x 13 3/4 x 18 7/8**

